



**SIEMAG  
TECBERG**

TECHNICAL INFORMATION

# SAFETY ARRESTOR

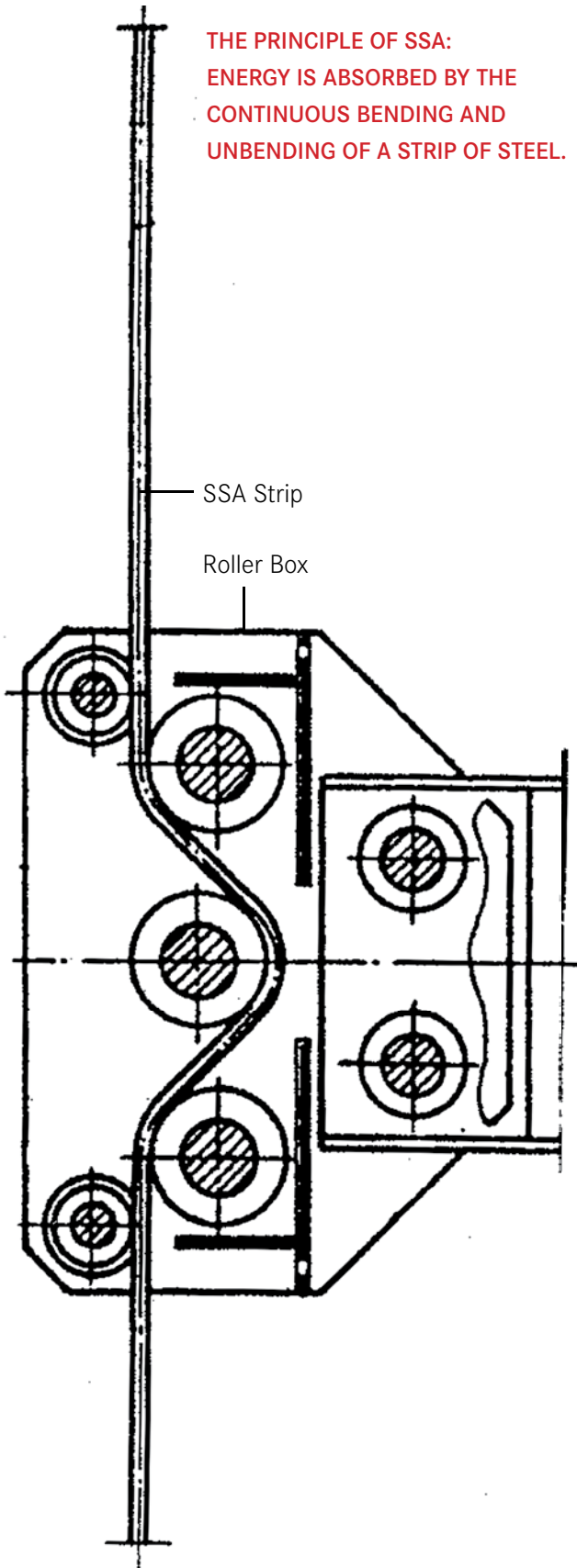
(SELDA PRINCIPLE)



## TECHNICAL INFORMATION

# SAFETY ARRESTOR

**THE PRINCIPLE OF SSA:  
ENERGY IS ABSORBED BY THE  
CONTINUOUS BENDING AND  
UNBENDING OF A STRIP OF STEEL.**



The principle of the SIEMAG TECBERG Safety Arrestor (SSA) – dissipation of energy by plastic deformation of a ductile strip of material (such as mild steel) by sets of rollers over a large area. The kinetic energy is thus converted into strain energy which is safely released as low-grade heat. The SIEMAG TECBERG Safety Arrestor consists of two or more strips suspended from the shaft steelwork which pass through roller boxes mounted on an arrestor frame.

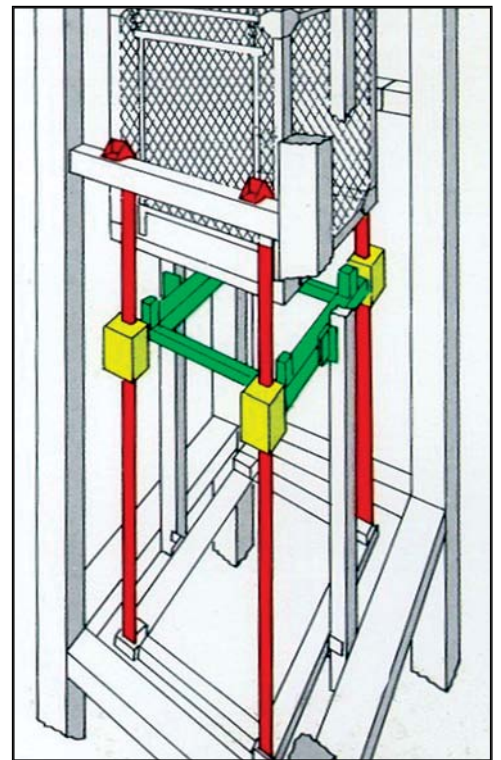
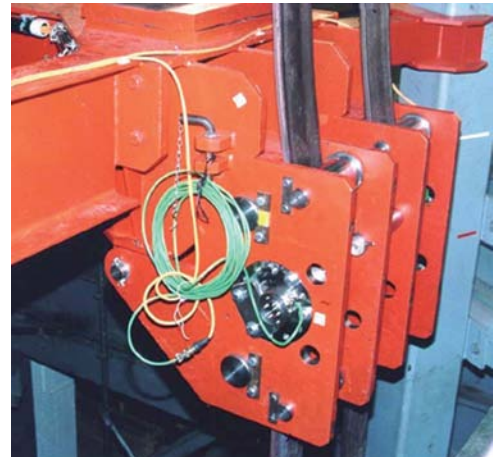
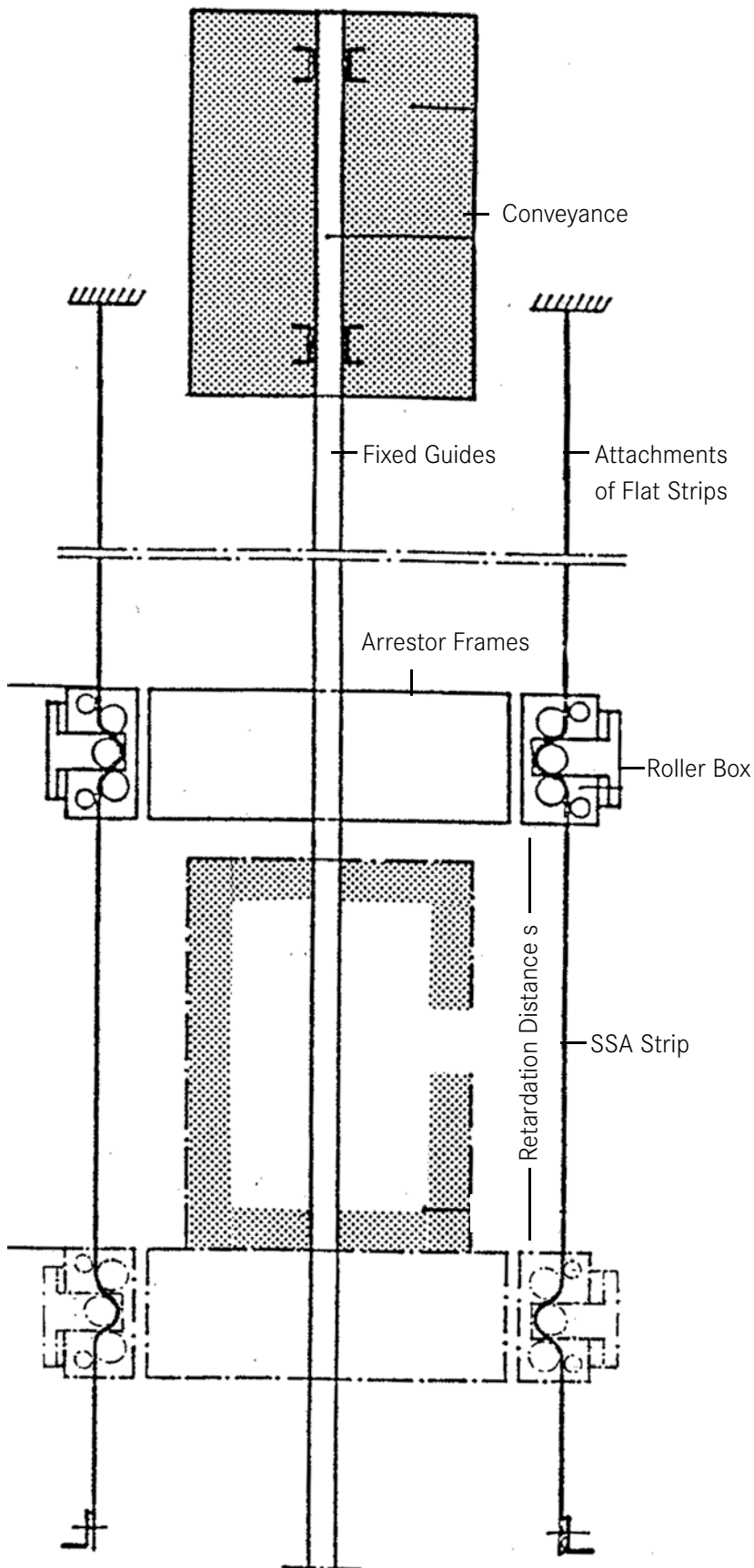
In case of an overwinding situation, the conveyance hits the arrestor frame and the roller boxes are forced to run along the strips, thus stopping the conveyance in a controlled manner.

The SSA should be installed at both ends of the hoisting system and in each compartment to provide complete protection.

The SSA replaces other means, such as tapered wooden guides, by which the hoisting conveyances are stopped without control. Such systems often cause major damage to the conveyances and steel work.

- Designed to suit any shaft
- Smooth and safe arresting of cages, skips, and counterweights
- Constant retardation
- Safe against overloading
- Conversion into strain energy
- Simple installation in any hoisting system

DIAGRAMMATIC ARRANGEMENT:  
THE MASSES ARE RETARDED BY THE  
TRAVEL OF THE ARRESTOR FRAME.



The size of boxes and strips is selected to suit the particular application.

Roller Box Size	Force Range - kN
A	30 - 50
B	50 - 100
C	100 - 150
D	150 - 225
E	225 - 350



## LOCATIONS:

### GERMANY | HAIGER (HEADQUARTERS)

SIEMAG TECBERG GmbH  
 Kalteiche-Ring 28-32  
 35708 Haiger, Germany  
 Phone +49 2773 91610  
 E-Mail [info@siemag-tecberg.com](mailto:info@siemag-tecberg.com)

### POLAND | KATOWICE

SIEMAG TECBERG POLSKA Sp. z o.o.  
 ul. Mickiewicza 29  
 40-085 Katowice, Poland  
 Phone +48 32 2072086  
 E-Mail [info@siemag-tecberg.pl](mailto:info@siemag-tecberg.pl)

### SWITZERLAND | SEDRUN

SIEMAG TECBERG GmbH  
 Plant Operation  
 7188 Sedrun, Switzerland  
 Phone +41 81 9365280  
 E-Mail [info@siemag-tecberg.ch](mailto:info@siemag-tecberg.ch)

### CHINA | BEIJING

Beijing SIEMAG TECBERG  
 Mining Equipment Co., Ltd.  
 Room 21-03, Block A, CITIC Building  
 19 Jianguomenwai Dajie,  
 Beijing 100004, P.R. China  
 Phone + 86 10 8526 1713  
 E-Mail [info@siemag-tecberg.cn](mailto:info@siemag-tecberg.cn)

### CHINA | TIANJIN

Tianjin SIEMAG TECBERG Machinery Co., Ltd.,  
 Guangyuan Road South,  
 Tianjin High-Tech Industrial Park,  
 Third Phase Wuqing Development Area,  
 Tianjin 301700, P. R. China

### AUSTRALIA | SYDNEY

SIEMAG TECBERG Australia Pty Ltd.  
 Unit 7, 2 Eden Park Drive (PO Box 1442)  
 North Ryde NSW 2113, Australia  
 Phone +61 2 9888 3900  
 E-Mail [info@siemag-tecberg.com.au](mailto:info@siemag-tecberg.com.au)

### SOUTH AFRICA | JET PARK

SIEMAG TECBERG (Pty) Ltd.  
 Unit 15, Lakeview Business Park,  
 Yaldwin RD, Jet Park, Johannesburg  
 P.O. Box 2964, Edenvale 1610,  
 South Africa  
 Phone +27 11 383 9300  
 E-Mail [info@siemag-tecberg.co.za](mailto:info@siemag-tecberg.co.za)

### SOUTH AFRICA | GERMISTON

Winder Controls (Pty) Ltd.  
 56 Stanley Street, Germiston, Ext. 3, Gauteng,  
 P.O. Box 383, Germiston 1400,  
 South Africa  
 Phone +27 11 873 4650  
 E-Mail [winder@winder.co.za](mailto:winder@winder.co.za)

### USA | MILWAUKEE

SIEMAG TECBERG Inc.  
 2969 South Chase Avenue  
 Milwaukee, WI 53207, USA  
 Phone +1 414 727 5725  
 E-Mail [info@siemag-tecberg.us](mailto:info@siemag-tecberg.us)